

BILL OF MATERIAL

BAR NO.	SIZE	TYPE	LENGTH	WEIGHT	
H1	24	13	STR	4640	111
H2	8	13	STR	4340	35
H3	8	13	STR	3340	27
H4	8	13	STR	2340	19
H5	8	13	STR	1340	11
H6	72	13	1	980	70
H7	20	13	STR	5080	101
N1	24	19	2	2060	110
N2	16	16	2	2060	51
N3	32	13	2	2060	66
S1	12	19	STR	1800	48
T1	16	16	STR	5200	129
V1	8	16	STR	3420	42
V2	16	16	STR	2900	72
V3	32	13	STR	2360	75
V4	32	13	STR	1820	58
V5	32	13	STR	1280	41
V6	8	13	STR	3420	27
V7	16	13	STR	2900	46
Z1	8	19	3	2520	45
Z2	16	19	3	2200	79
Z3	16	16	3	1860	46
Z4	16	13	3	1500	24
Z5	16	13	3	1180	19

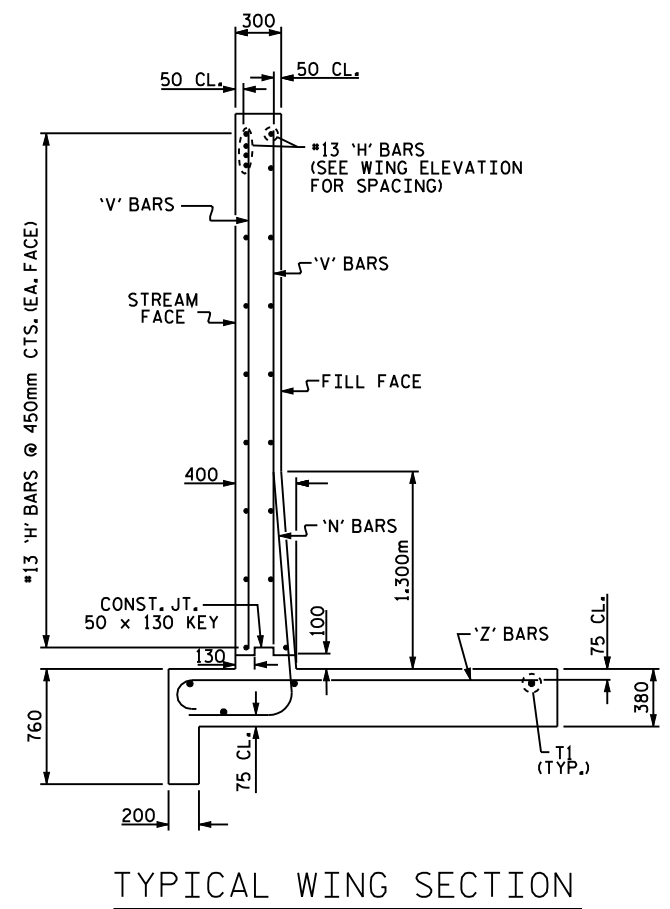
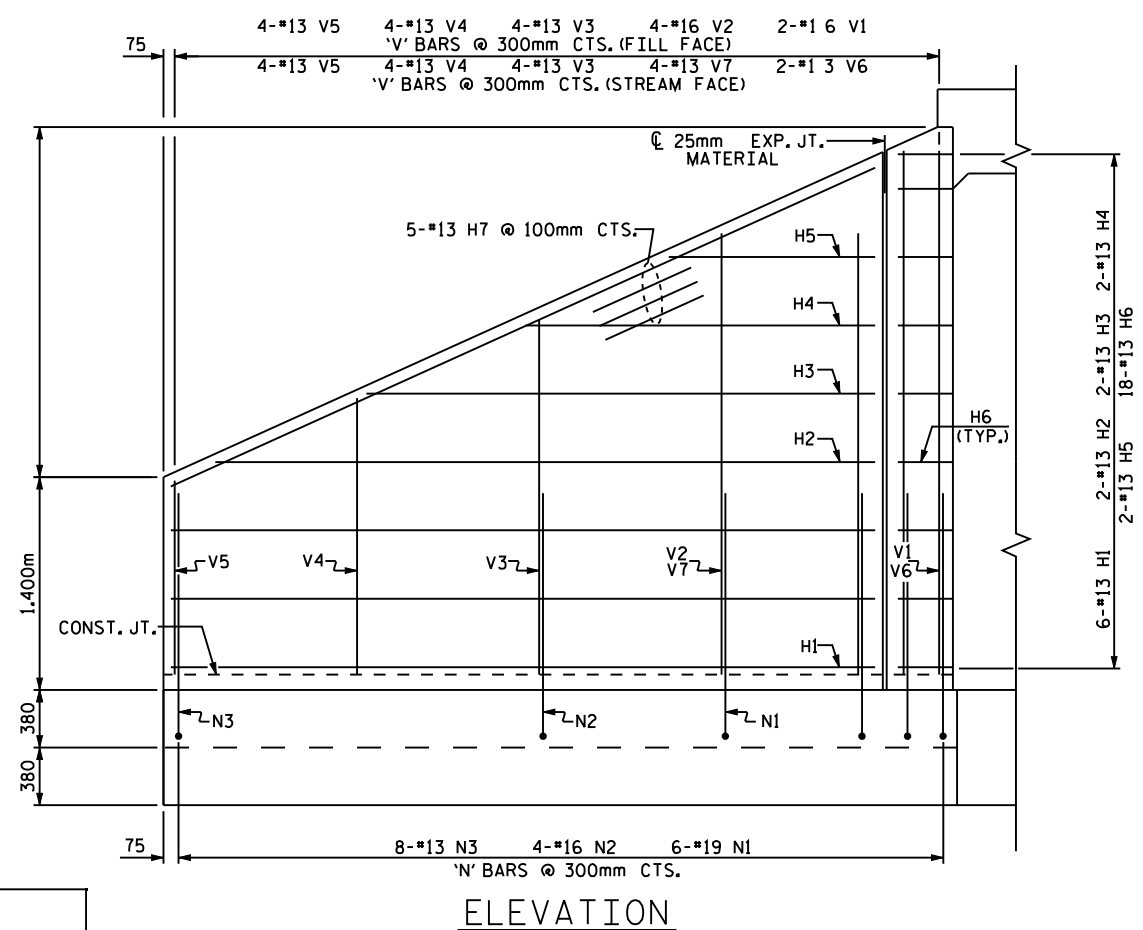
REINFORCING STEEL FOR 4 WINGS 1352 kg

CLASS A CONCRETE 34.2 m³

2 HEADWALLS m³

2 END CURTAIN WALLS m³

TOTAL m³



PROJECT NO. _____
 _____ COUNTY
 STATION: _____
 SHEET OF _____

STATE OF NORTH CAROLINA
 DEPARTMENT OF TRANSPORTATION
 RALEIGH
 STANDARD WINGS
 FOR
 CONCRETE BOX CULVERT
 H = 3.400m SLOPE = 2 : 1
 90° SKEW

ASSEMBLED BY :	DATE :
CHECKED BY :	DATE :
DRAWN BY : FPP 06/97	
CHECKED BY : VAP 08/97	

REVISIONS					SHEET NO.
NO.	BY:	DATE:	NO.	BY:	DATE:
1			3		
2			4		

TOTAL SHEETS